

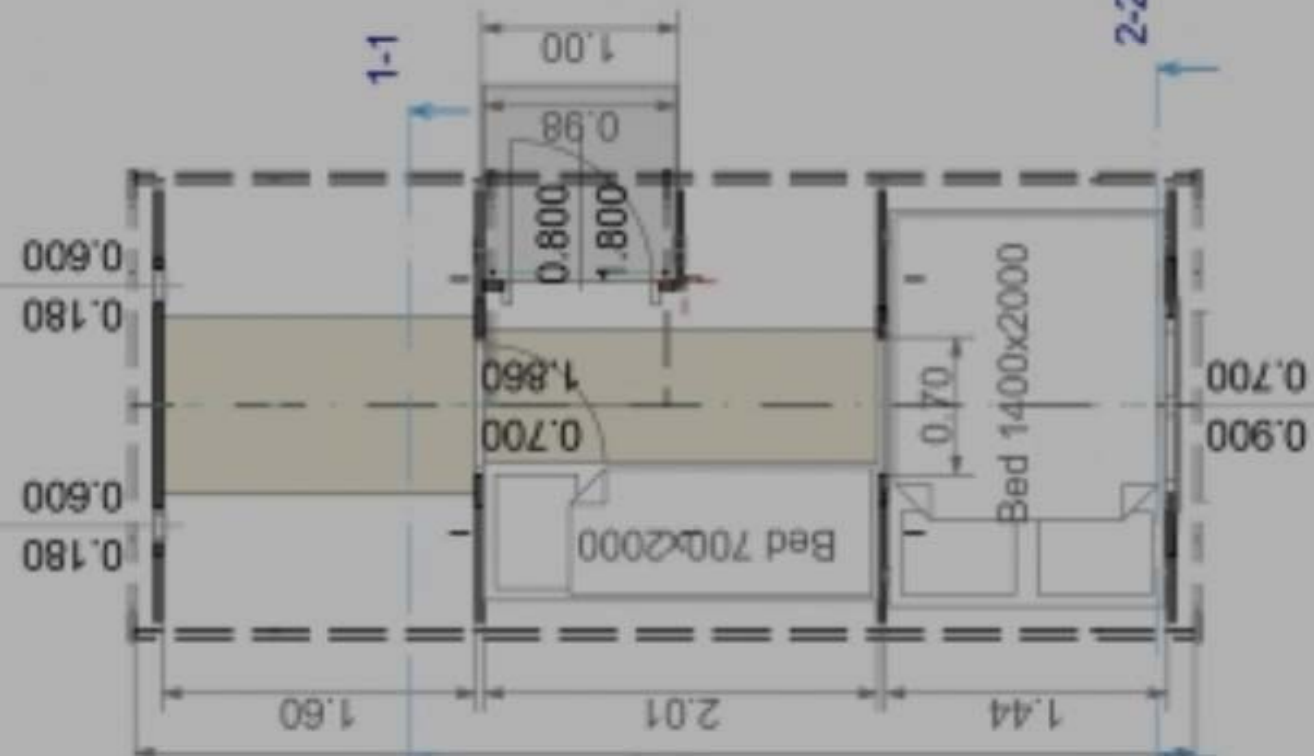
EXTERIOR PAINTING

Barrel for sleeping - side entrance

Ø2.2 X 5.4 M



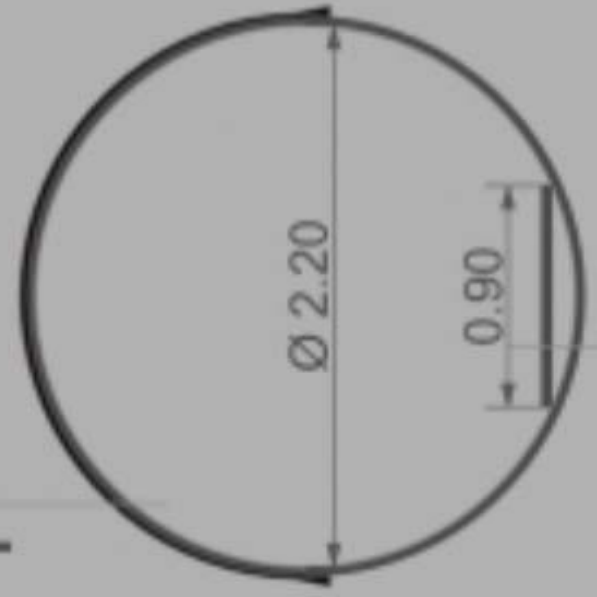




BITUMEN WELD COATING AND SHINGLES

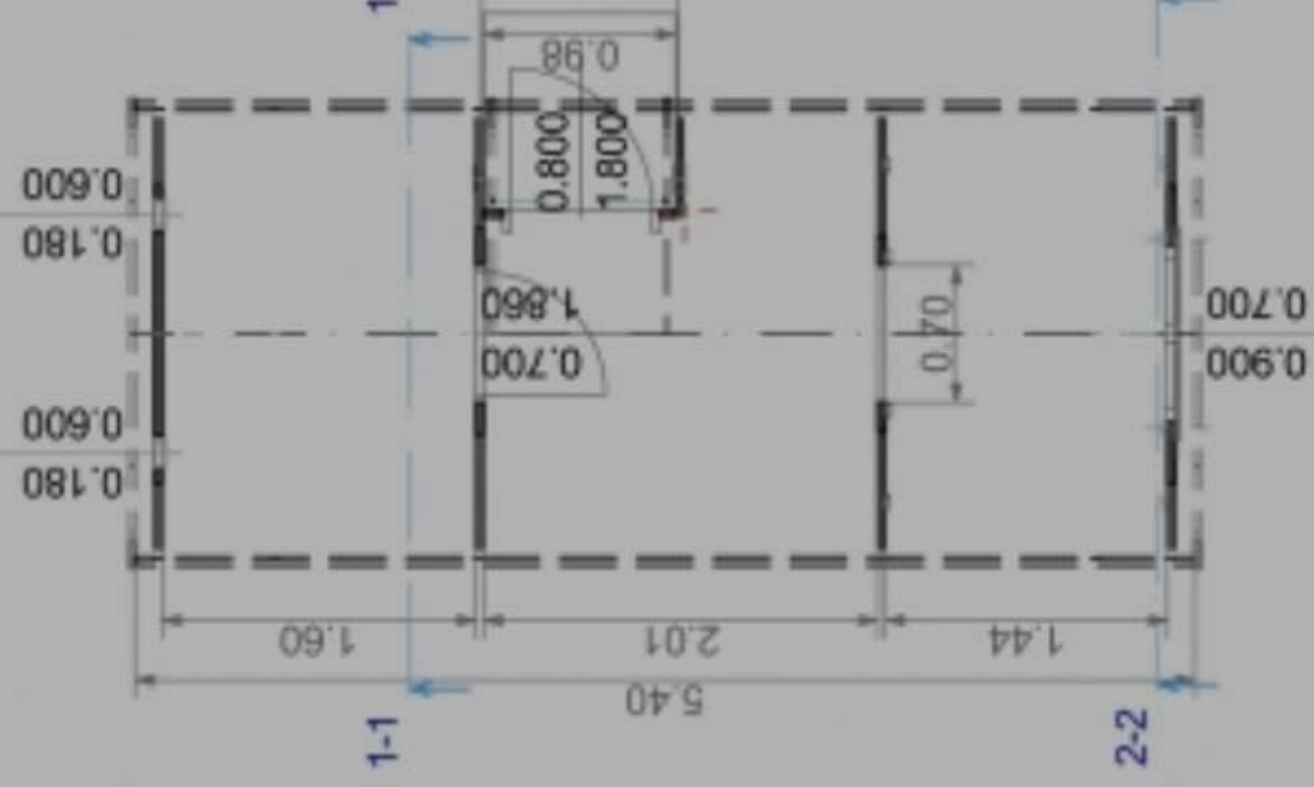
FRAME FROM SPRUCE 35mm

-1



FLOOR BOARD 15mm

LATHS 70x15mm



2-2

